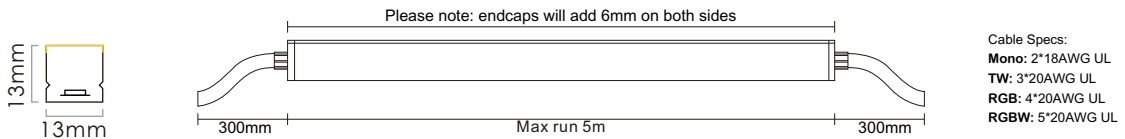


VL-SI1313-W (Pro Wave series - top bend)



Top-bend - Flex Neon 24V
 14.4W/m | 3000K CRI>90 | 1008Lm/m
 14.4W/m | RGBW | 576Lm/m

PROJECT		REFERENCE TYPE	
SPECIFIED BY		QUANTITY	
DATE		NOTE	



FEATURES

Fully automated extrusion silicone LED flexible neon, for outdoor and indoor architectural application, IP67 protection, specially in-feed system and end cap design enable a dot-free alignment of numerous fixtures.

Optics & Electronics

Unique integrated circuit design ensures uniformed light intensity along the entire length of fixture. LED with 3-step MacAdam and guaranteeing consistency and high quality of light.

Customization

Front, bottom and side cable entry options available for different install options. Endless fixture length configurations allow for the ultimate freedom of design. Cut lengths and terminations are pre-assembled at Vals Lighting factory to ensure IP rating.

Life Cycle


Long lifetime of L70B10>54,000 hours with Five-year limited warranty indoor and outdoor.

VL-SI1313-W (Pro Wave series - top bend)




SPECIFICATION LOGIC						
FAMILY	POWER W/m	NOMINAL LENGTH	Light Color	INPUT VOLTAGE	CABLE ENTRY	IP RATING
VL-SI1313-W	14.4W/m	Max.run length - 5m	MONO  TW  RGB  RGBW  DMX 	24VDC	FF - Front + Front SS - Side + Side BB - Bottom + Bottom FX - Front + Closed SX - Side + Closed BX - Bottom + Closed	IP67


Order example: VL-SI1313-W-5m-927K-SS

PRODUCT SPECIFICATIONS 				
		MONO		
Electrical	Power	14.4W/m		
	Input Voltage	24VDC		
Physical	Minimum Length	Free-cut		
	Width x Height	13mm x 13mm		
	Body Finish	Premium silicone / white		
	Bend Direction	Vertical (top bending)		
	Bend Radius	75mm		
	Qty of LED	120LEDs/m		
	IC Type	/		
	Cable Entry Options	Front, Side, Bottom		
Optical	Fixture Connections	IP67 injection-moulded input and end cap		
	LED Type	2835 LED		
	Control Protocol	0-10V or PWM or Dali		
	Lumen Output	1008Lm/m(3000K)	1061Lm/m(4000K)	1128Lm/m(6500K)
	Efficacy	70Lm/W(CRI90, 3000K)		
Temperature Range	Lumen Maintenance	L70B10@54,000 hours		
	Storage Temperature	-25°Cmin, 60°Cmax		
	Max Ambient Temperature	50°C		
	Min Ambient Temperature	-25°C		

VL-SI1313-W (Pro Wave series - top bend)





PRODUCT SPECIFICATIONS 		
		Tunable white
Electrical	Power	14.4W/m
	Input Voltage	24VDC
Physical	Minimum Length	50mm
	Width x Height	13mm x 13mm
	Body Finish	Premium silicone / white
	Bend Direction	Vertical (top bending)
	Bend Radius	75mm
	Qty of LED	240LEDs/m
	IC Type	/
	Cable Entry Options	Front, Side, Bottom
Optical	Fixture Connections	IP67 injection-moulded input and end cap
	LED Type	2835 LED
	Control Protocol	0-10V or PWM or Dali
	Lumen Output	432Lm/m(2700K) 936Lm/m(4000K) 468Lm/m(6500K)
	Efficacy	65Lm/W(CRI90, 4000K)
Temperature Range	Lumen Maintenance	L70B10@54,000 hours
	Storage Temperature	-25°Cmin, 60°Cmax
	Max Ambient Temperature	50°C
	Min Ambient Temperature	-25°C

PRODUCT SPECIFICATIONS 		
		RGB
Electrical	Power	14.4W/m
	Input Voltage	24VDC
Physical	Minimum Length	50mm
	Width x Height	13mm x 13mm
	Body Finish	Premium silicone / white
	Bend Direction	Vertical (top bending)
	Bend Radius	75mm
	Qty of LED	120LEDs/m
	IC Type	/
	Cable Entry Options	Front, Side, Bottom
Optical	Fixture Connections	IP67 injection-moulded input and end cap
	LED Type	4040 LED
	Control Protocol	PWM or Dali
	Lumen Output	RGB:504Lm/m
	Efficacy	35Lm/W
Temperature Range	Lumen Maintenance	L70B10@54,000 hours
	Storage Temperature	-25°Cmin, 60°Cmax
	Max Ambient Temperature	50°C
	Min Ambient Temperature	-25°C

VL-SI1313-W (Pro Wave series - top bend)



PRODUCT SPECIFICATIONS 		
		RGBW
Electrical	Power	14.4W/m
	Input Voltage	24VDC
Physical	Minimum Length	50mm
	Width x Height	13mm x 13mm
	Body Finish	Premium silicone / white
	Bend Direction	Vertical (top bending)
	Bend Radius	75mm
	Cable Entry Options	Front, Side, Bottom
	Fixture Connections	IP67 injection-moulded input and end cap
Optical	LED Type	4040 LED
	Control Protocol	PWM or Dali
	Lumen Output	RGBW: 576Lm/m
	Efficacy	40Lm/W
	Lumen Maintenance	L70B10@54,000 hours
Temperature Range	Storage Temperature	-25°Cmin, 60°Cmax
	Max Ambient Temperature	50°C
	Min Ambient Temperature	-25°C

PRODUCT SPECIFICATIONS 		
		RGB-DMX
Electrical	Power	14.4W/m
	Input Voltage	24VDC
Physical	Minimum Length	100mm
	Width x Height	13mm x 13mm
	Body Finish	Premium silicone / white
	Bend Direction	Vertical (top bending)
	Bend Radius	75mm
	No. of Pixels	10pixels/m, IC code UCS512H4
	Cable Entry Options	Front, Side, Bottom
Fixture Connections	IP67 injection-moulded input and end cap	
Optical	LED Type	5050 LED
	Control Protocol	DMX512
	Lumen Output	RGB: 576Lm/m
	Efficacy	40Lm/W
	Lumen Maintenance	L70B10@54,000 hours
Temperature Range	Storage Temperature	-25°Cmin, 60°Cmax
	Max Ambient Temperature	50°C
	Min Ambient Temperature	-25°C

VL-SI1313-W (Pro Wave series - top bend)

CABLE ENTRY OPTION EXAMPLES				
F-FRONT	S-SIDE-LEFT	S-SIDE-RIGHT	B-BOTTOM	SEAMLESS SPLICING
FX 	SLX 	SRX 	BX 	
FF 	SLSL 	SRSR 	BB 	

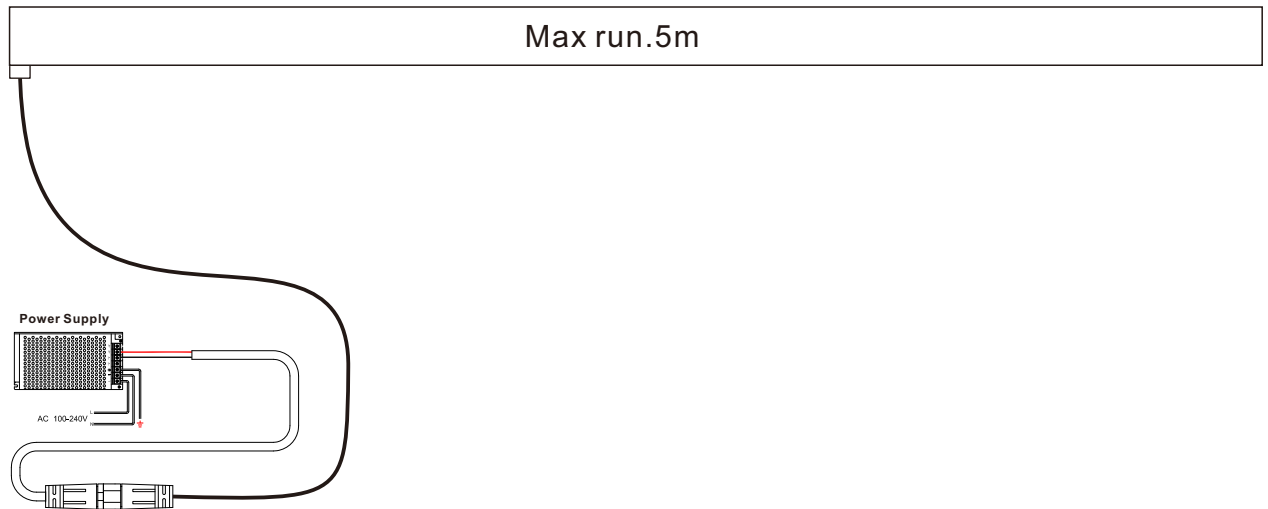
PROFILES AND MOUNTING OPTIONS				
FIXED ALUMINUM PROFILE				
	EXAMPLES OF INSTALLATION	PART NUMBER	DETAILS	
		1313-FAP- ____*MM	FAP- Fixed aluminum profile	
BENDABLE STAINLESS STEEL PROFILE				
	EXAMPLES OF INSTALLATION	PART NUMBER	DETAILS	
		1313-BSP- ____*MM	BSP- Bendable stainless steel profile	
MOUNTING CLIPS				
	EXAMPLES OF INSTALLATION	PART NUMBER	DETAILS	
		1313-MC	MC- Mounting clips	

BENDING INSTRUCTION			
Bending in wave form - vertical			DO NOT TWIST
DO NOT bend in curve form - horizontal			

WIRING ELECTRICAL DIAGRAM

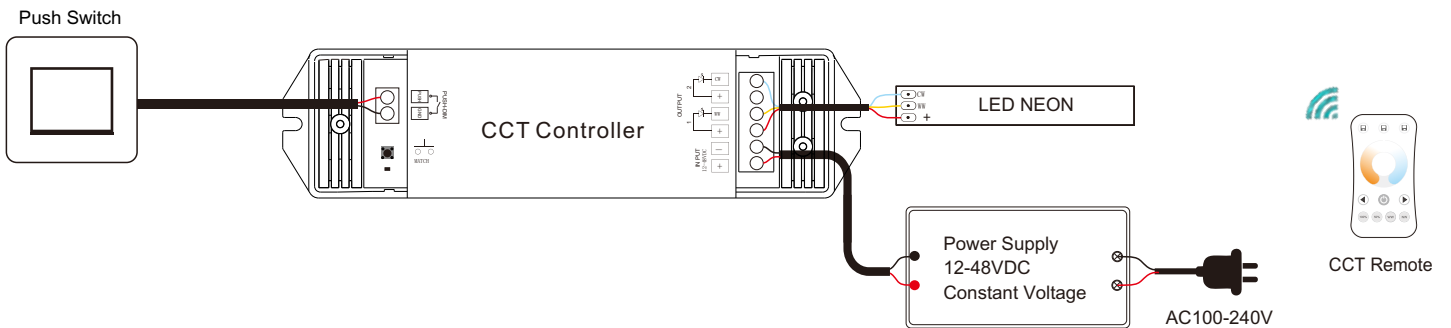
MONO

Input by one end



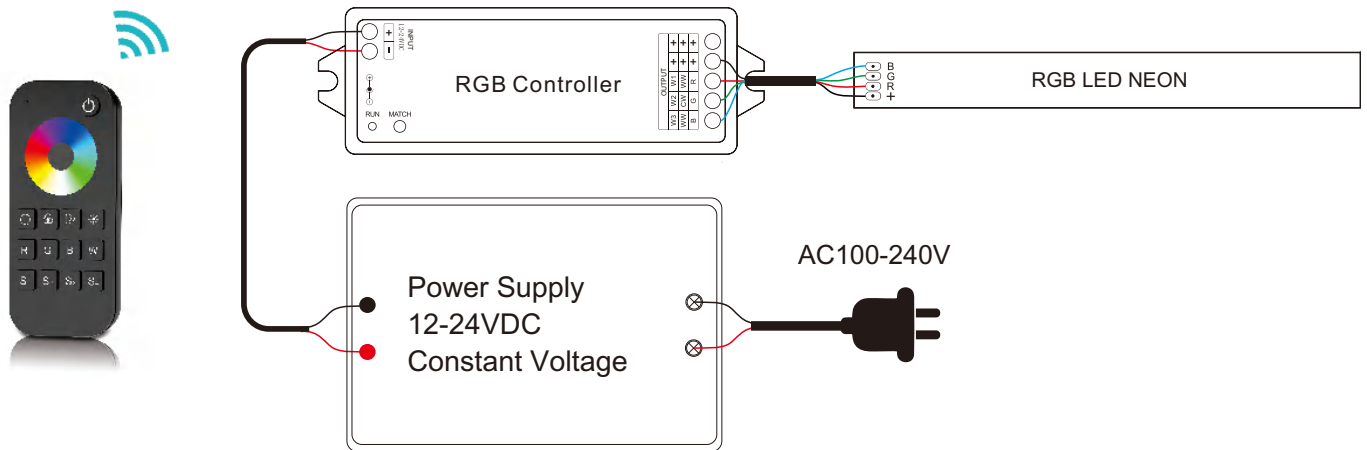
WIRING ELECTRICAL DIAGRAM

Tunable white



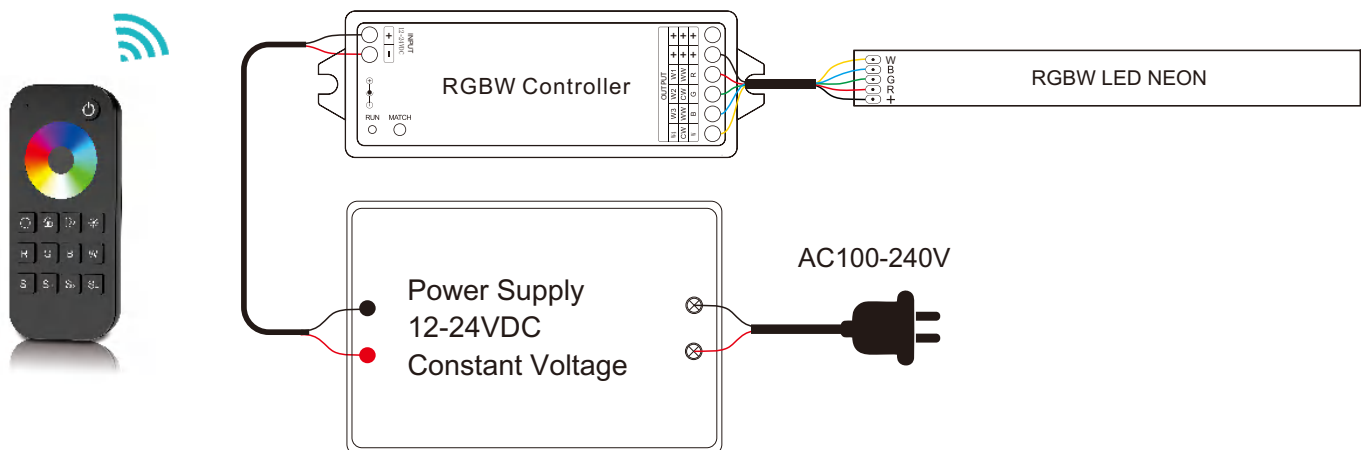
WIRING ELECTRICAL DIAGRAM

RGB



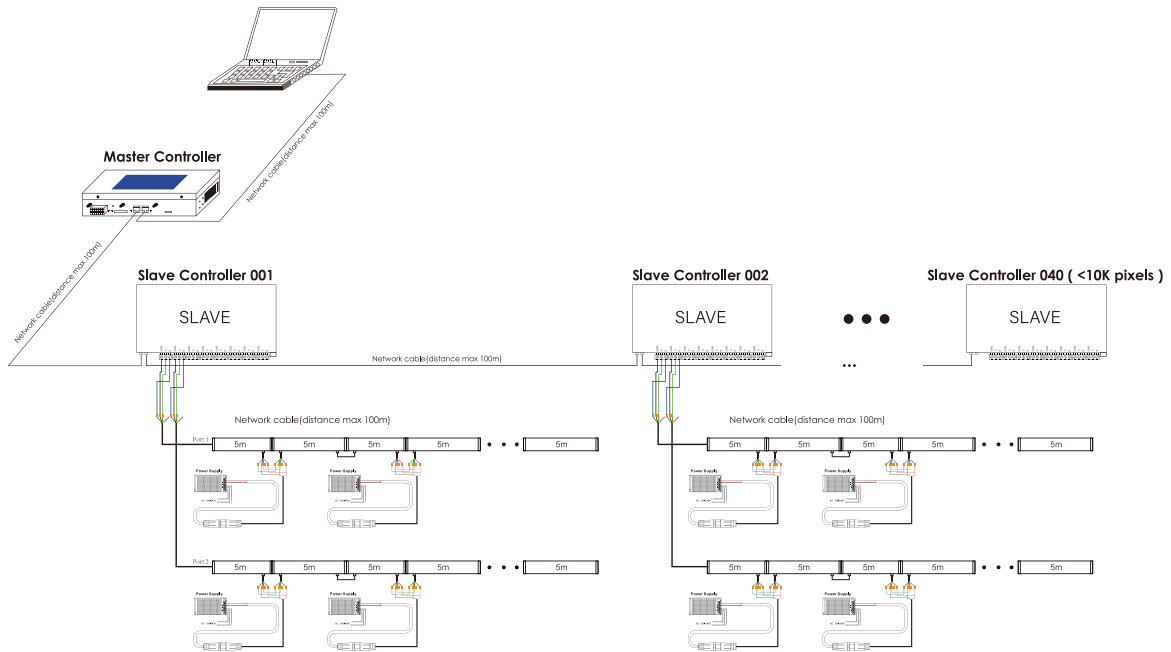
WIRING ELECTRICAL DIAGRAM

RGBW



WIRING ELECTRICAL DIAGRAM

RGBW-DMX-Online



WIRING ELECTRICAL DIAGRAM

RGBW-DMX-Offline

