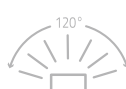
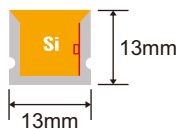


VL-SI1313-C (Pro Curve series - side bend)



FEATURES

Fully automated extrusion silicone LED flexible neon, for outdoor and indoor architectural application, IP67 protection, specially in-feed system and end cap design enable a dot-free alignment of numerous fixtures.

Optics & Electronics

Unique integrated circuit design ensures uniformed light intensity along the entire length of fixture. LED with 3-step MacAdam and guaranteeing consistency and high quality of light.

Customization

Front, bottom and side cable entry options available for different install options. Endless fixture length configurations allow for the ultimate freedom of design. Cut lengths and terminations are pre-assembled at Vals Lighting factory to ensure IP rating.





Life Cycle

Long lifetime of L70B10>54,000 hours with Five-year limited warranty indoor and outdoor.

VL-SI1313-C (Pro Curve series - side bend)



SPECIFICATION LOGIC

| FAMILY | POWER W/m | NOMINAL LENGTH | Light Color | INPUT VOLTAGE | CABLE ENTRY | IP RATING |
|-------------|-----------|---------------------|--|---------------|---|-----------|
| VL-SI1313-C | 12W/m | Maximum length - 5m | MONO  TW  RGB  DMX  | 24VDC | FF - Front + Front SS - Side + Side BB - Bottom + Bottom FX - Front + Closed SX - Side + Closed BX - Bottom + Closed | IP67 |


Order example: VL-SI1313-C-5m-927K-SS


PRODUCT SPECIFICATIONS

| | | MONO |
|-------------------|-------------------------|--|
| Electrical | Power | 12W/m |
| | Input Voltage | 24VDC |
| Physical | Minimum Length | Free-cut |
| | Width x Height | 13mm x 13mm |
| | Body Finish | Premium silicone / white |
| | Bend Direction | Horizontal (side bending) |
| | Bend Radius | 150mm |
| | Qty of LED | 120LEDs/m |
| | IC Type | / |
| | Cable Entry Options | Front, Side, Bottom |
| Optical | Fixture Connections | IP67 injection-moulded input and end cap |
| | LED Type | 2835 LED |
| | Control Protocol | 0-10V or PWM or Dali |
| | Lumen Output | 456Lm/m(3000K) 480Lm/m(4000K) 534Lm/m(6500K) |
| | Efficacy | 40Lm/W(CRI90, 4000K) |
| Temperature Range | Lumen Maintenance | L70B10@54,000 hours |
| | Storage Temperature | -25°Cmin, 60°Cmax |
| | Max Ambient Temperature | 50°C |
| | Min Ambient Temperature | -25°C |

VL-SI1313-C (Pro Curve series - side bend)




| PRODUCT SPECIFICATIONS  | | |
|--|-------------------------|--|
| | | Tunable white |
| Electrical | Power | 12W/m |
| | Input Voltage | 24VDC |
| Physical | Minimum Length | 50mm |
| | Width x Height | 13mm x 13mm |
| | Body Finish | Premium silicone / white |
| | Bend Direction | Horizontal (side bending) |
| | Bend Radius | 150mm |
| | Qty of LED | 240LEDs/m |
| | IC Type | / |
| | Cable Entry Options | Front, Side, Bottom |
| | Fixture Connections | IP67 injection-moulded input and end cap |
| Optical | LED Type | 2835 LED |
| | Control Protocol | 0-10V or PWM or Dali |
| | Lumen Output | 300Lm/m(2700K) 630Lm/m(4000K) 318Lm/m(6500K) |
| | Efficacy | 53Lm/W(CRI90, 4000K) |
| | Lumen Maintenance | L70B10@54,000 hours |
| Temperature Range | Storage Temperature | -25°Cmin, 60°Cmax |
| | Max Ambient Temperature | 50°C |
| | Min Ambient Temperature | -25°C |

| PRODUCT SPECIFICATIONS  | | |
|--|-------------------------|--|
| | | RGB |
| Electrical | Power | 12W/m |
| | Input Voltage | 24VDC |
| Physical | Minimum Length | 50mm |
| | Width x Height | 13mm x 13mm |
| | Body Finish | Premium silicone / white |
| | Bend Direction | Horizontal (side bending) |
| | Bend Radius | 150mm |
| | Qty of LED | 120LEDs/m |
| | IC Type | / |
| | Cable Entry Options | Front, Side, Bottom |
| | Fixture Connections | IP67 injection-moulded input and end cap |
| Optical | LED Type | 4040 LED |
| | Control Protocol | PWM or Dali |
| | Lumen Output | RGB: 270Lm/m |
| | Efficacy | 23Lm/W |
| Temperature Range | Lumen Maintenance | L70B10@54,000 hours |
| | Storage Temperature | -25°Cmin, 60°Cmax |
| | Max Ambient Temperature | 50°C |
| | Min Ambient Temperature | -25°C |

VL-SI1313-C (Pro Curve series - side bend)



| PRODUCT SPECIFICATIONS  | | |
|--|-------------------------|--|
| | | RGB-SPI |
| Electrical | Power | 12W/m |
| | Input Voltage | 24VDC |
| Physical | Minimum Length | 50mm |
| | Width x Height | 13mm x 13mm |
| | Body Finish | Premium silicone / white |
| | Bend Direction | Horizontal (side bending) |
| | Bend Radius | 150mm |
| | Qty of LED | 120LEDs/m |
| | No. of Pixels | 20pixels/m, IC code UCS2904 |
| | Cable Entry Options | Front, Side, Bottom |
| | Fixture Connections | IP67 injection-moulded input and end cap |
| Optical | LED Type | 4040 LED |
| | Control Protocol | SPI |
| | Lumen Output | RGBW: 280Lm/m |
| | Efficacy | 23Lm/W |
| | Lumen Maintenance | L70B10@54,000 hours |
| Temperature Range | Storage Temperature | -25°Cmin, 60°Cmax |
| | Max Ambient Temperature | 50°C |
| | Min Ambient Temperature | -25°C |

VL-SI1313-C (Pro Curve series - side bend)



| CABLE ENTRY OPTION EXAMPLES | | | | |
|-----------------------------|-----------------|-----------------|---------------|-------------------|
| F-FRONT | S-SIDE-LEFT | S-SIDE-RIGHT | B-BOTTOM | SEAMLESS SPLICING |
| FX | SLX | SRX | BX | |
| FF | SLSL | SRSR | BB | |

| PROFILES AND MOUNTING OPTIONS | | | |
|----------------------------------|-------------------------------------|---|--|
| FIXED ALUMINUM PROFILE | | | |
| | EXAMPLES OF INSTALLATION | PART NUMBER 1313-FAP-_____MM | DETAILS FAP- Fixed aluminum profile |
| BENDABLE STAINLESS STEEL PROFILE | | | |
| | EXAMPLES OF INSTALLATION | PART NUMBER 1313-BSP-_____MM | DETAILS BSP- Bendable stainless steel profile |
| MOUNTING CLIPS | | | |
| | EXAMPLES OF INSTALLATION | PART NUMBER 1313-MC | DETAILS MC- Mounting clips |

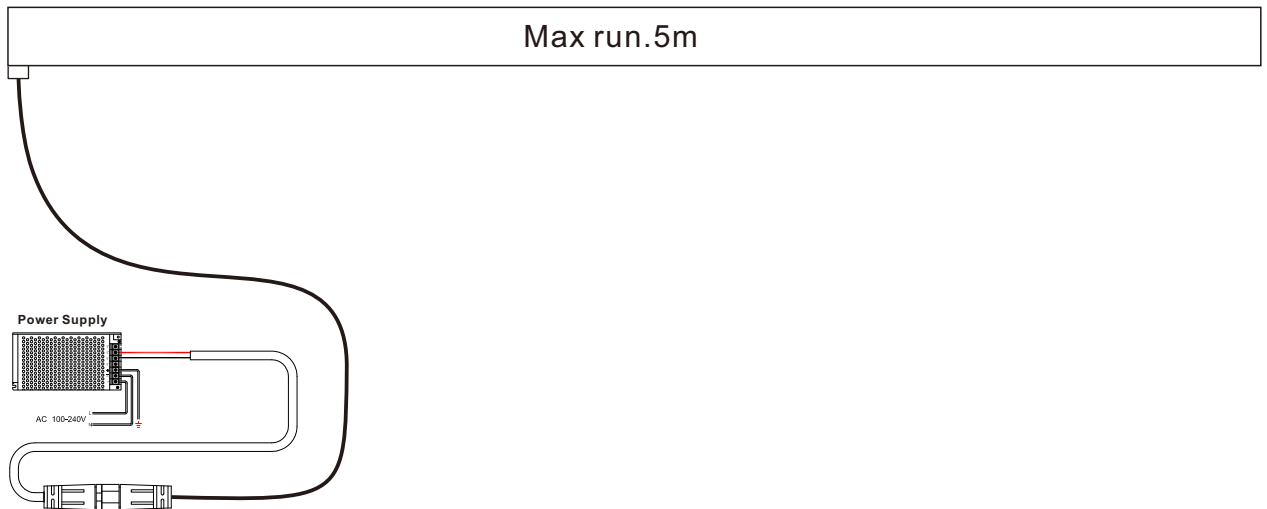
| BENDING INSTRUCTION | | | |
|--|--|--|-------------------------|
| Bending in CURE form - horizontal | | | DO NOT TWIST |
| DO NOT bend in wave form - vertical | | | |

VL-SI1313-C (Pro Curve series - side bend)

WIRING ELECTRICAL DIAGRAM

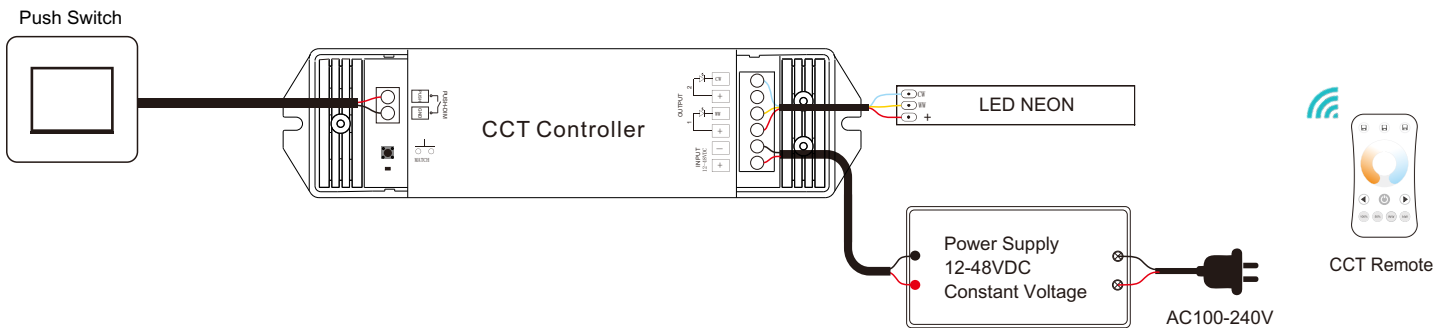
MONO

Input by one end



WIRING ELECTRICAL DIAGRAM

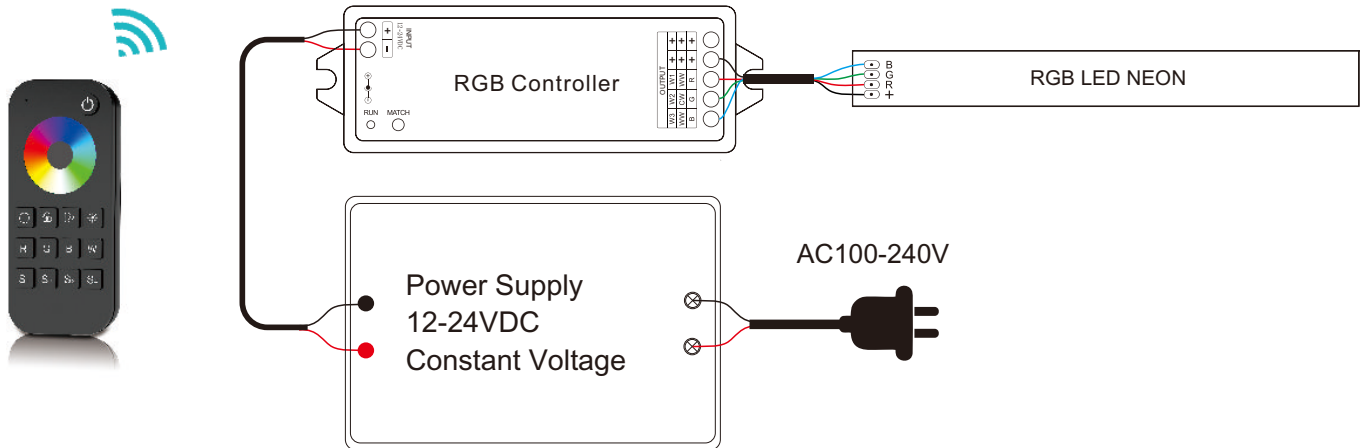
Tunable white



VL-SI1313-C (Pro Curve series - side bend)

WIRING ELECTRICAL DIAGRAM

RGB



WIRING ELECTRICAL DIAGRAM

RGB-SPI

