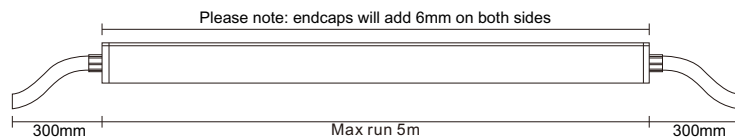
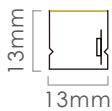


# VL-SI1313-C ( Pro Curve series - side bend )



Side-bend - Flex Neon 24V  
 12W/m | 3000K CRI>90 | 720Lm/m  
 12W/m | RGBW | 420Lm/m

PROJECT		REFERENCE TYPE	
SPECIFIED BY		QUANTITY	
DATE		NOTE	



Cable Specs:  
**Mono:** 2\*18AWG UL  
**TW:** 3\*20AWG UL  
**RGB:** 4\*20AWG UL  
**RGBW:** 5\*20AWG UL



## FEATURES

Fully automated extrusion silicone LED flexible neon, for outdoor and indoor architectural application, IP67 protection, specially in-feed system and end cap design enable a dot-free alignment of numerous fixtures.

### Optics & Electronics

Unique integrated circuit design ensures uniformed light intensity along the entire length of fixture. LED with 3-step MacAdam and guaranteeing consistency and high quality of light.

### Customization

Front, bottom and side cable entry options available for different install options. Endless fixture length configurations allow for the ultimate freedom of design. Cut lengths and terminations are pre-assembled at Vals Lighting factory to ensure IP rating.

### Life Cycle

Long lifetime of L70B10>54,000 hours with Five-year limited warranty indoor and outdoor.

# VL-SI1313-C ( Pro Curve series - side bend )



## SPECIFICATION LOGIC

FAMILY	POWER W/m	NOMINAL LENGTH	Light Color	INPUT VOLTAGE	CABLE ENTRY	IP RATING
VL-SI1313-C	12W/m	Max.run length - 5m	<b>MONO</b>  <b>TW</b>  <b>RGB</b>  <b>RGBW</b>  <b>SPI</b> 	24VDC	<b>FF</b> - Front + Front <b>SS</b> - Side + Side <b>BB</b> - Bottom + Bottom <b>FX</b> - Front + Closed <b>SX</b> - Side + Closed <b>BX</b> - Bottom + Closed	<b>IP67</b>


Order example: VL-SI1313-C-5m-927K-SS


## PRODUCT SPECIFICATIONS

		MONO
Electrical	Power	12W/m
	Input Voltage	24VDC
Physical	Minimum Length	Free-cut
	Width x Height	13mm x 13mm
	Body Finish	Premium silicone / white
	Bend Direction	Horizontal (side bending)
	Bend Radius	75mm
	Qty of LED	120LEDs/m
	IC Type	/
	Cable Entry Options	Front, Side, Bottom
Optical	Fixture Connections	IP67 injection-moulded input and end cap
	LED Type	2835 LED
	Control Protocol	0-10V or PWM or Dali
	Lumen Output	720Lm/m(3000K)    758Lm/m(4000K)    806Lm/m(6500K)
	Efficacy	60Lm/W(CRI90, 3000K)
Temperature Range	Lumen Maintenance	L70B10@54,000 hours
	Storage Temperature	-25°Cmin, 60°Cmax
	Max Ambient Temperature	50°C
	Min Ambient Temperature	-25°C

# VL-SI1313-C ( Pro Curve series - side bend )




PRODUCT SPECIFICATIONS 		
		Tunable white
Electrical	Power	12W/m
	Input Voltage	24VDC
Physical	Minimum Length	50mm
	Width x Height	13mm x 13mm
	Body Finish	Premium silicone / white
	Bend Direction	Horizontal (side bending)
	Bend Radius	75mm
	Qty of LED	240LEDs/m
	IC Type	/
	Cable Entry Options	Front, Side, Bottom
	Fixture Connections	IP67 injection-moulded input and end cap
Optical	LED Type	2835 LED
	Control Protocol	0-10V or PWM or Dali
	Lumen Output	330Lm/m(2700K) 720Lm/m(4000K) 360Lm/m(6500K)
	Efficacy	60Lm/W(CRI90, 4000K)
	Lumen Maintenance	L70B10@54,000 hours
Temperature Range	Storage Temperature	-25°Cmin, 60°Cmax
	Max Ambient Temperature	50°C
	Min Ambient Temperature	-25°C

PRODUCT SPECIFICATIONS 		
		RGB
Electrical	Power	12W/m
	Input Voltage	24VDC
Physical	Minimum Length	50mm
	Width x Height	13mm x 13mm
	Body Finish	Premium silicone / white
	Bend Direction	Horizontal (side bending)
	Bend Radius	75mm
	Qty of LED	120LEDs/m
	IC Type	/
	Cable Entry Options	Front, Side, Bottom
	Fixture Connections	IP67 injection-moulded input and end cap
Optical	LED Type	4040 LED
	Control Protocol	PWM or Dali
	Lumen Output	RGB: 300Lm/m
	Efficacy	25Lm/W
Temperature Range	Lumen Maintenance	L70B10@54,000 hours
	Storage Temperature	-25°Cmin, 60°Cmax
	Max Ambient Temperature	50°C
	Min Ambient Temperature	-25°C

# VL-SI1313-C ( Pro Curve series - side bend )



PRODUCT SPECIFICATIONS 		
		RGBW
Electrical	Power	12W/m
	Input Voltage	24VDC
Physical	Minimum Length	50mm
	Width x Height	13mm x 13mm
	Body Finish	Premium silicone / white
	Bend Direction	Horizontal (side bending)
	Bend Radius	75mm
	Cable Entry Options	Front, Side, Bottom
	Fixture Connections	IP67 injection-moulded input and end cap
Optical	LED Type	4040 LED
	Control Protocol	PWM or Dali
	Lumen Output	RGBW: 420Lm/m
	Efficacy	35Lm/W
Temperature Range	Lumen Maintenance	L70B10@54,000 hours
	Storage Temperature	-25°Cmin, 60°Cmax
	Max Ambient Temperature	50°C
	Min Ambient Temperature	-25°C

PRODUCT SPECIFICATIONS 		
		RGB-SPI
Electrical	Power	12W/m
	Input Voltage	24VDC
Physical	Minimum Length	50mm
	Width x Height	13mm x 13mm
	Body Finish	Premium silicone / white
	Bend Direction	Horizontal (side bending)
	Bend Radius	75mm
	No. of Pixels	20pixels/m, IC code Sk6813
	Cable Entry Options	Front, Side, Bottom
Fixture Connections	IP67 injection-moulded input and end cap	
Optical	LED Type	4040 LED
	Control Protocol	SPI
	Lumen Output	RGB: 300Lm/m
	Efficacy	25Lm/W
Temperature Range	Lumen Maintenance	L70B10@54,000 hours
	Storage Temperature	-25°Cmin, 60°Cmax
	Max Ambient Temperature	50°C
	Min Ambient Temperature	-25°C

# VL-SI1313-C ( Pro Curve series - side bend )

CABLE ENTRY OPTION EXAMPLES				
F-FRONT	S-SIDE-LEFT	S-SIDE-RIGHT	B-BOTTOM	SEAMLESS SPLICING
<b>FX</b> 	<b>SLX</b> 	<b>SRX</b> 	<b>BX</b> 	
<b>FF</b> 	<b>SLSL</b> 	<b>SRSR</b> 	<b>BB</b> 	

PROFILES AND MOUNTING OPTIONS			
FIXED ALUMINUM PROFILE			
	EXAMPLES OF INSTALLATION	PART NUMBER	DETAILS
		<b>1313-FAP-_____MM</b>	<b>FAP- Fixed aluminum profile</b>
BENDABLE STAINLESS STEEL PROFILE			
	EXAMPLES OF INSTALLATION	PART NUMBER	DETAILS
		<b>1313-BSP-_____MM</b>	<b>BSP- Bendable stainless steel profile</b>
MOUNTING CLIPS			
	EXAMPLES OF INSTALLATION	PART NUMBER	DETAILS
		<b>1313-MC</b>	<b>MC- Mounting clips</b>

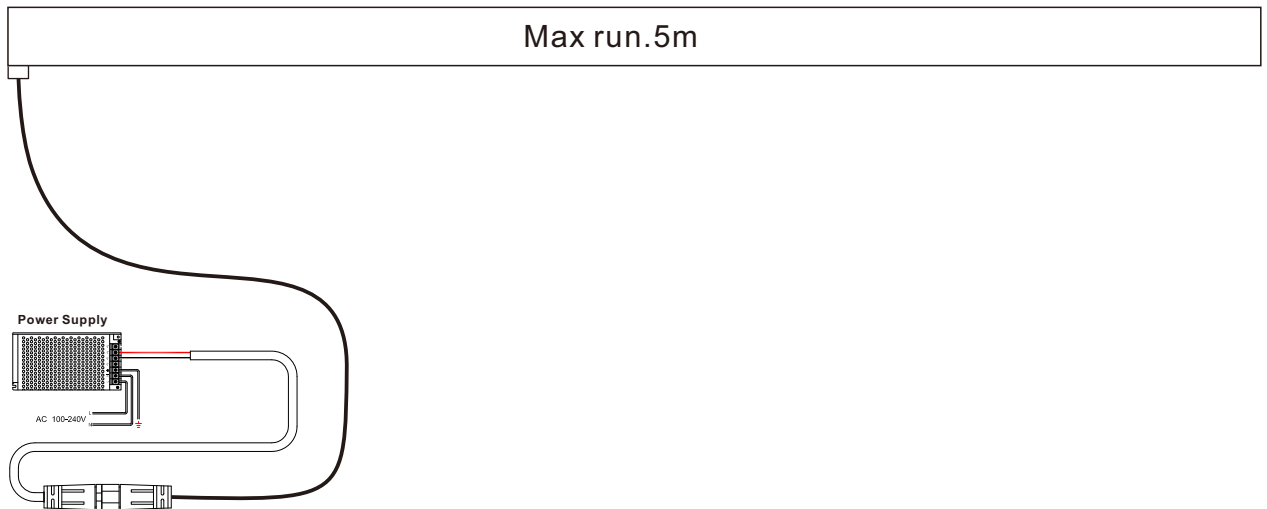
BENDING INSTRUCTION			
<b>Bending in CURE form - horizontal</b>			<b>DO NOT TWIST</b> 
<b>DO NOT bend in wave form - vertical</b>			

# VL-SI1313-C ( Pro Curve series - side bend )

## WIRING ELECTRICAL DIAGRAM

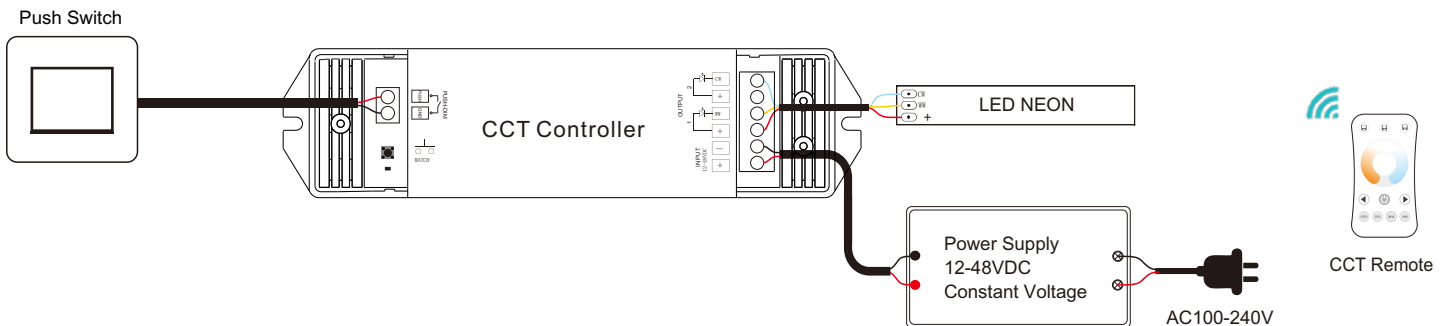
### MONO

Input by one end



## WIRING ELECTRICAL DIAGRAM

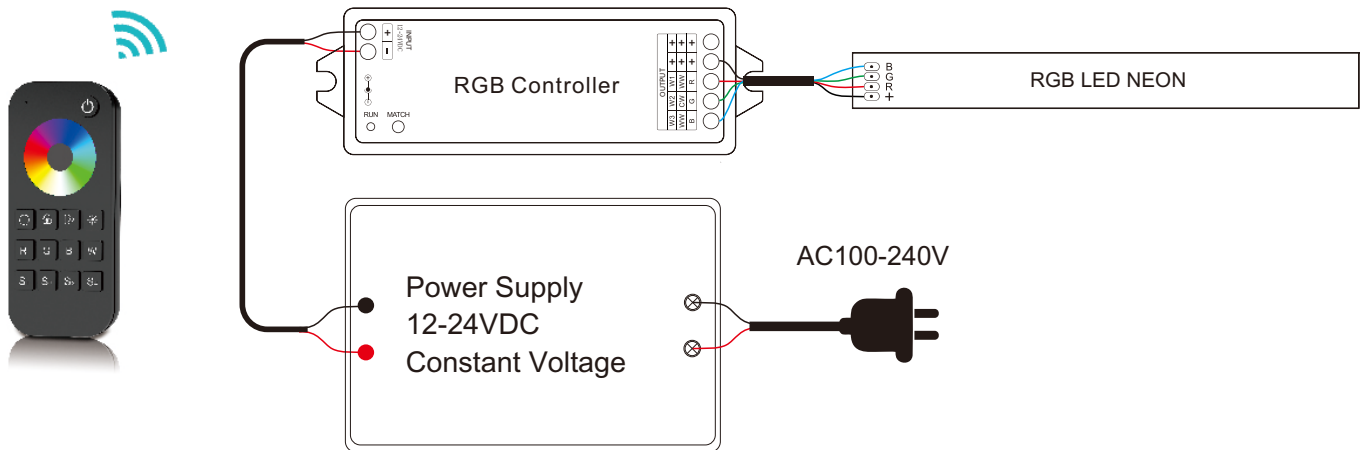
### Tunable white



# VL-SI1313-C ( Pro Curve series - side bend )

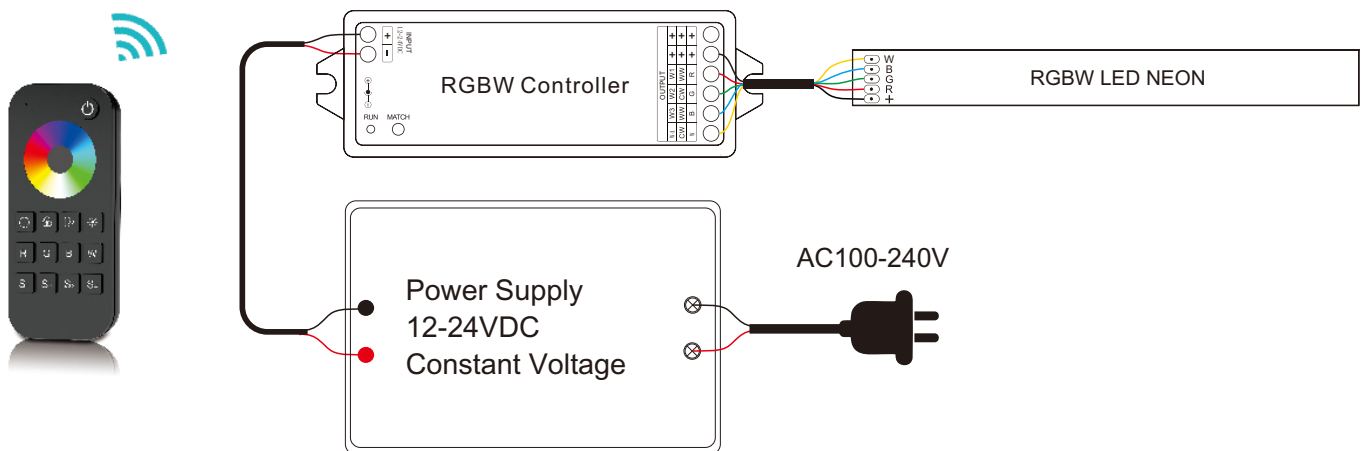
## WIRING ELECTRICAL DIAGRAM

### RGB



## WIRING ELECTRICAL DIAGRAM

### RGBW



# VL-SI1313-C ( Pro Curve series - side bend )

## WIRING ELECTRICAL DIAGRAM

### RGB-SPI

