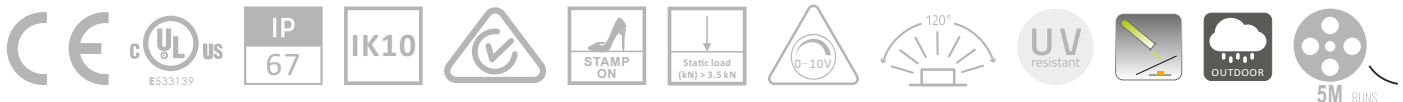
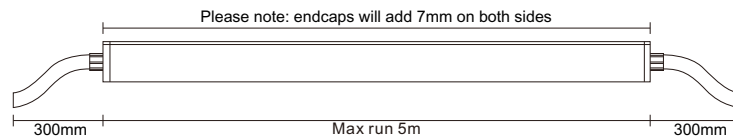
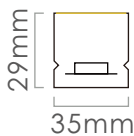
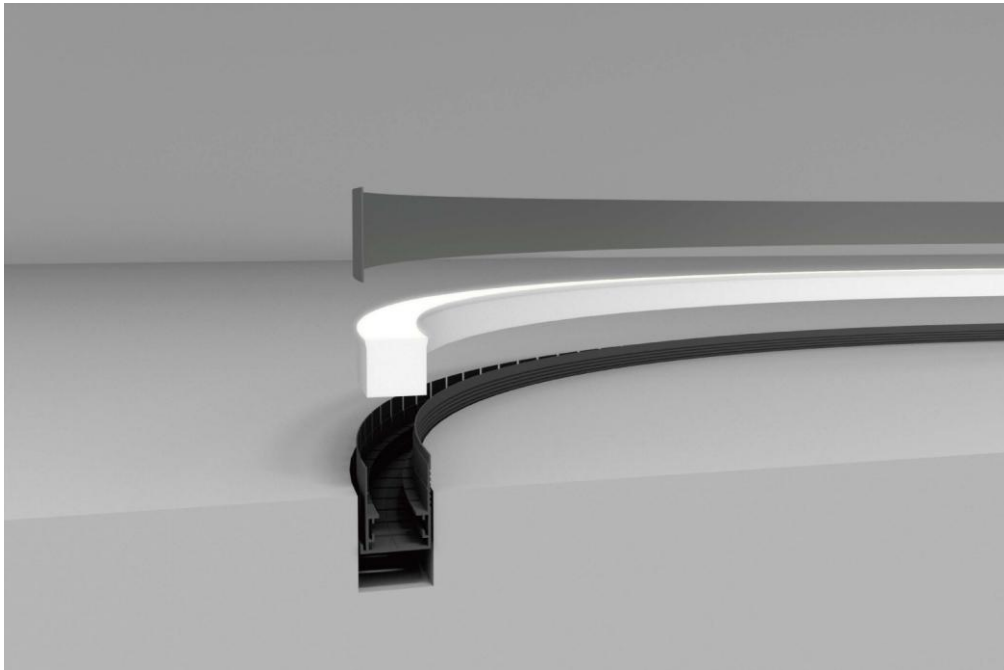


# VL-WOSI3529-3D ( Walk-over Series - dual bend )



Free-bend - Flex Neon 24V  
 14.4W/m | 3000K CRI>90 | 576Lm/m  
 14.4W/m | RGBW | 504Lm/m

PROJECT		REFERENCE TYPE	
SPECIFIED BY		QUANTITY	
DATE		NOTE	



## FEATURES

Fully automated extrusion silicone LED flexible neon, ideal for Inground application, IP67 protection, specially in-feed system and end cap design enable a dot-free alignment of numerous fixtures.

### Optics & Electronics

Unique integrated circuit design ensures uniformed light intensity along the entire length of fixture. LED with 3-step MacAdam and guaranteeing consistency and high quality of light.

### Customization



Front, bottom and side cable entry options available for different install options. Endless fixture length configurations allow for the ultimate freedom of design. Cut lengths and terminations are pre-assembled at Vals Lighting factory to ensure IP rating.

### Life Cycle


Long lifetime of L70B10>54,000 hours with Five-year limited warranty indoor and outdoor.

# VL-WOSI3529-3D ( Walk-over Series - dual bend )




SPECIFICATION LOGIC						
FAMILY	POWER W/m	NOMINAL LENGTH	Light Color	INPUT VOLTAGE	CABLE ENTRY	IP RATING
VL-WOSI3529-3D	14.4W/m	Maximum length - 5m	<b>MONO</b>  <b>RGB</b>  <b>RGBW</b>  <b>DMX</b> 	24VDC	<b>FF</b> - Front + Front <b>SS</b> - Side + Side <b>BB</b> - Bottom + Bottom <b>FX</b> - Front + Closed <b>SX</b> - Side + Closed <b>BX</b> - Bottom + Closed	IP67


Order example: VL-WOSI3529-3D-927K-5m-SS

PRODUCT SPECIFICATIONS 				
		MONO		
Electrical	Power	14.4W/m		
	Input Voltage	24VDC		
Physical	Minimum Length	Free-cut		
	Width x Height	35mm x 29mm		
	Body Finish	Premium silicone / white		
	Bend Direction	Side and Top bending		
	Bend Radius	250mm		
	Qty of LED	120LEDs/m		
	IC Type	/		
	Cable Entry Options	Front, Side, Bottom		
Optical	Fixture Connections	IP67 injection-moulded input and end cap		
	LED Type	2835 LED		
	Control Protocol	0-10V or PWM or Dali		
	Lumen Output	576Lm/m(3000K)	606Lm/m(4000K)	644Lm/m(6500K)
	Efficacy	40Lm/W(CRI90, 3000K)		
Temperature Range	Lumen Maintenance	L70B10@54,000 hours		
	Storage Temperature	-25°Cmin, 60°Cmax		
	Max Ambient Temperature	50°C		
	Min Ambient Temperature	-25°C		

# VL-WOSI3529-3D ( Walk-over Series - dual bend )




PRODUCT SPECIFICATIONS 		
		RGB
Electrical	Power	14.4W/m
	Input Voltage	24VDC
Physical	Minimum Length	71.4mm
	Width x Height	35mm x 29mm
	Body Finish	Premium silicone / white
	Bend Direction	Side and Top bending
	Bend Radius	250mm
	Qty of LED	120LEDs/m
	IC Type	/
	Cable Entry Options	Front, Side, Bottom
Optical	Fixture Connections	IP67 injection-moulded input and end cap
	LED Type	5050 LED
	Control Protocol	PWM or Dali
	Lumen Output	RGB: 360Lm/m
	Efficacy	25Lm/W
Temperature Range	Lumen Maintenance	L70B10@54,000 hours
	Storage Temperature	-25°Cmin, 60°Cmax
	Max Ambient Temperature	50°C
	Min Ambient Temperature	-25°C

PRODUCT SPECIFICATIONS 		
		RGBW
Electrical	Power	14.4W/m
	Input Voltage	24VDC
Physical	Minimum Length	71.4mm
	Width x Height	35mm x 29mm
	Body Finish	Premium silicone / white
	Bend Direction	Side and Top bending
	Bend Radius	250mm
	Qty of LED	120LEDs/m
	IC Type	/
	Cable Entry Options	Front, Side, Bottom
Optical	Fixture Connections	IP67 injection-moulded input and end cap
	LED Type	5050 LED
	Control Protocol	PWM or Dali
	Lumen Output	RGBW: 504Lm/m
	Efficacy	35Lm/W
Temperature Range	Lumen Maintenance	L70B10@54,000 hours
	Storage Temperature	-25°Cmin, 60°Cmax
	Max Ambient Temperature	50°C
	Min Ambient Temperature	-25°C

# VL-WOSI3529-3D ( Walk-over Series - dual bend )



PRODUCT SPECIFICATIONS 		
		RGBW-DMX
Electrical	Power	14.4W/m
	Input Voltage	24VDC
Physical	Minimum Length	71.4mm
	Width x Height	35mm x 29mm
	Body Finish	Premium silicone / white
	Bend Direction	Side and Top bending
	Bend Radius	250mm
	Qty of LED	120LEDs/m
	No. of Pixels	14pixels/m, IC code UCS512H4
	Cable Entry Options	Front, Side, Bottom
	Fixture Connections	IP67 injection-moulded input and end cap
Optical	LED Type	5050 LED
	Control Protocol	DMX512
	Lumen Output	RGBW: 360Lm/m
	Efficacy	25Lm/W
	Lumen Maintenance	L70B10@54,000 hours
Temperature Range	Storage Temperature	-25°Cmin, 60°Cmax
	Max Ambient Temperature	50°C
	Min Ambient Temperature	-25°C

# VL-WOSI3529-3D (Walk-over Series - dual bend)



CABLE ENTRY OPTION EXAMPLES				
F-FRONT	S-SIDE-LEFT	S-SIDE-RIGHT	B-BOTTOM	SEAMLESS SPLICING
<b>FX</b> 	<b>SLX</b> 	<b>SRX</b> 	<b>BX</b> 	
<b>FF</b> 	<b>SLSL</b> 	<b>SRSR</b> 	<b>BB</b> 	

## PROFILES AND MOUNTING OPTIONS

FIXED ALUMINUM PROFILE			
	EXAMPLES OF INSTALLATION	PART NUMBER	DETAILS
		<b>3529-FAP-____*MM</b>	<b>FAP- Fixed aluminum profile</b>
BENDABLE ALUMINUM PROFILE			
	EXAMPLES OF INSTALLATION	PART NUMBER	DETAILS
		<b>3529-BAP</b>	<b>BAP- Bendable aluminum profile</b>
RECESSED FIXED ALUMINUM PROFILE			
	EXAMPLES OF INSTALLATION	PART NUMBER	DETAILS
		<b>3529-RFAP</b>	<b>RFAP- Recessed Fixed Aluminum Profile</b>
TRIMLESS RECESSED FIXED ALUMINUM PROFILE			
	EXAMPLES OF INSTALLATION	PART NUMBER	DETAILS
		<b>3529-TRFAP</b>	<b>TRFAP- Trimless Recessed Fixed Aluminum Profile</b>

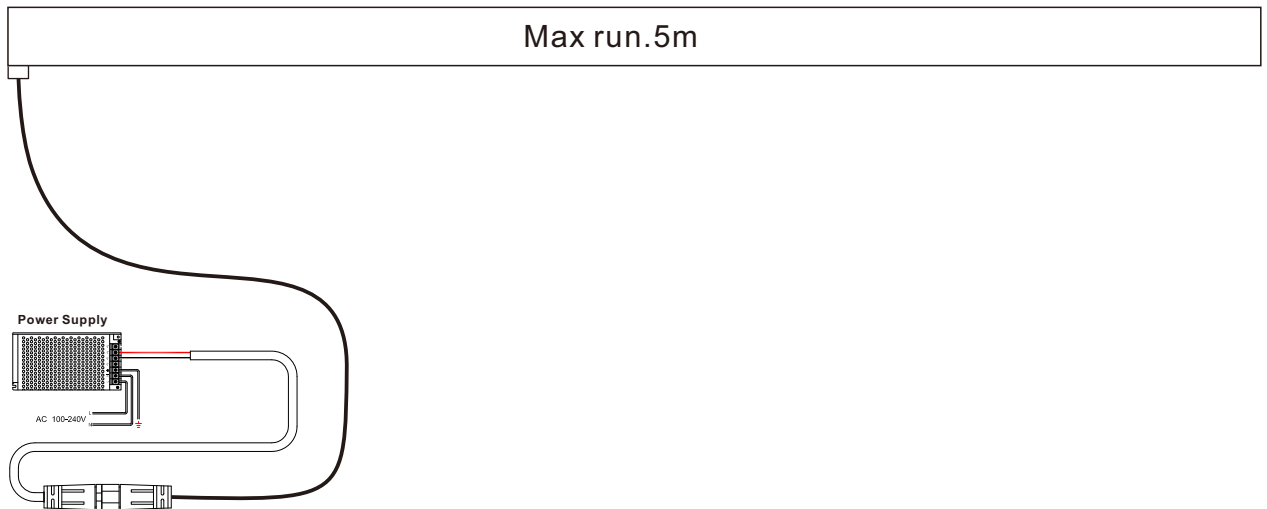
## BENDING INSTRUCTION

<b>Bending in wave form - vertical</b>		<b>TWIST &lt;180°</b> 
<b>Bending in curve form - horizontal</b>		

## WIRING ELECTRICAL DIAGRAM

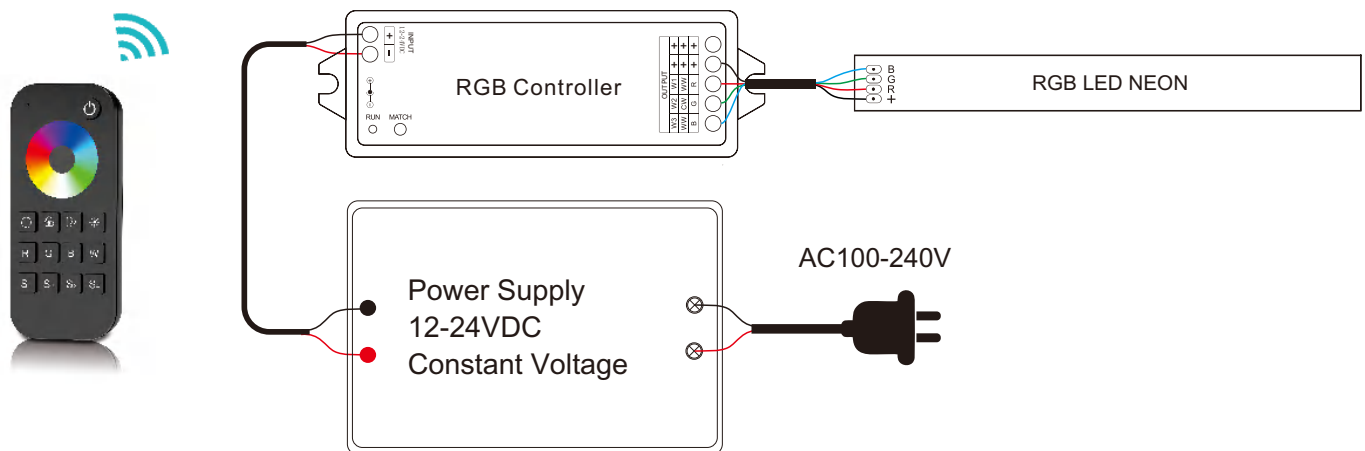
### MONO

Input by one end



## WIRING ELECTRICAL DIAGRAM

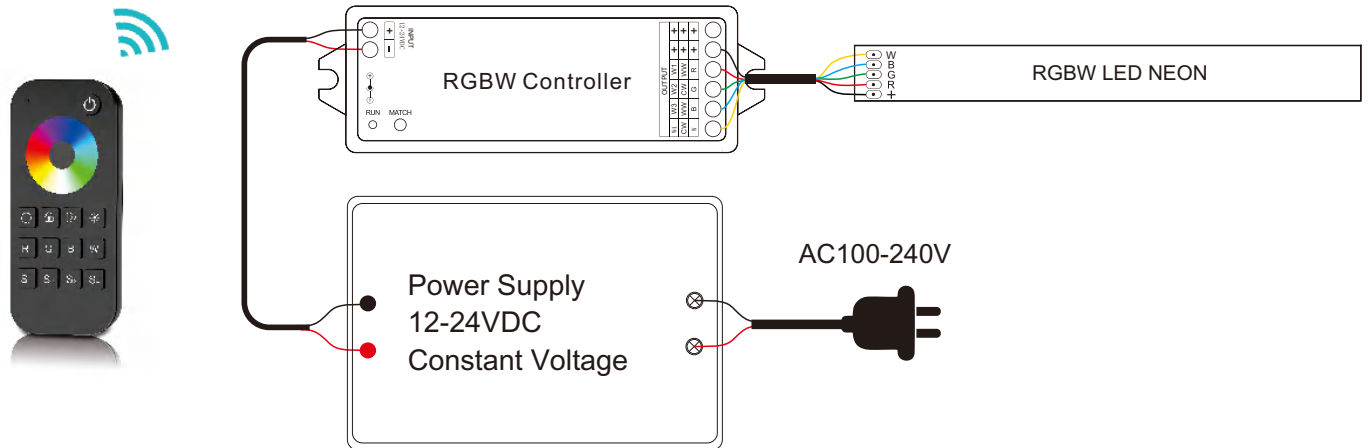
### RGB



# VL-WOSI3529-3D ( Walk-over Series - dual bend )

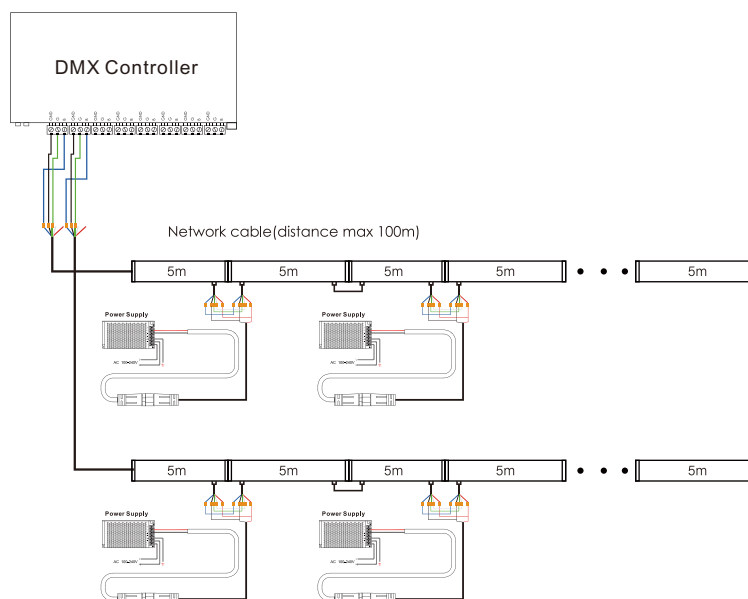
## WIRING ELECTRICAL DIAGRAM

### RGBW



## WIRING ELECTRICAL DIAGRAM

### RGBW-DMX-Offline



# VL-WOSI3529-3D ( Walk-over Series - dual bend )

## WIRING ELECTRICAL DIAGRAM

### RGBW-DMX-Online

