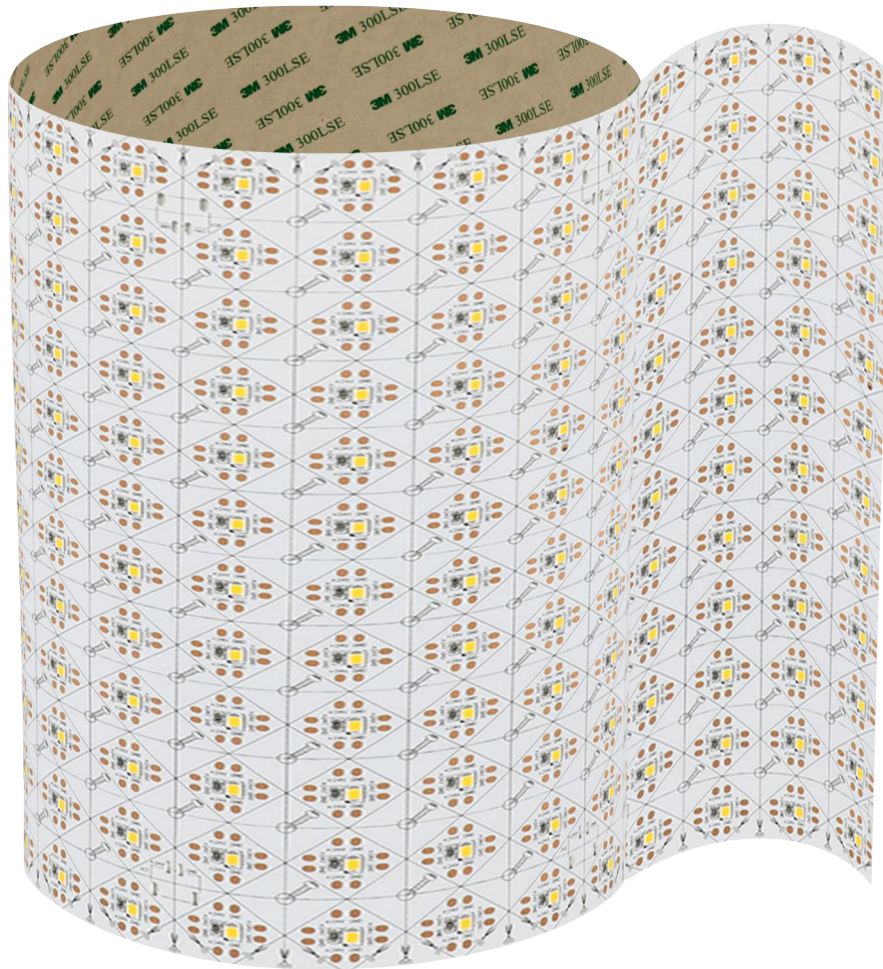


BACK LIGHT SERIES



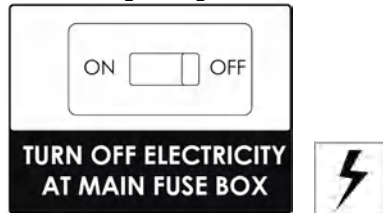
INSTALLATION GUIDE

INSTALLATION

1. Configure design and layout of the system before attempting to install this product. Do not exceed the maximum ambient temperature of $-20 \sim +45 \text{ C}^{\circ}$. For dry location use only.
Note - For dimming applications refer to the spec sheet and the wiring diagrams below.

2. **Turn off electricity**

Before beginning installation, switch circuit breaker off or remove fuse.

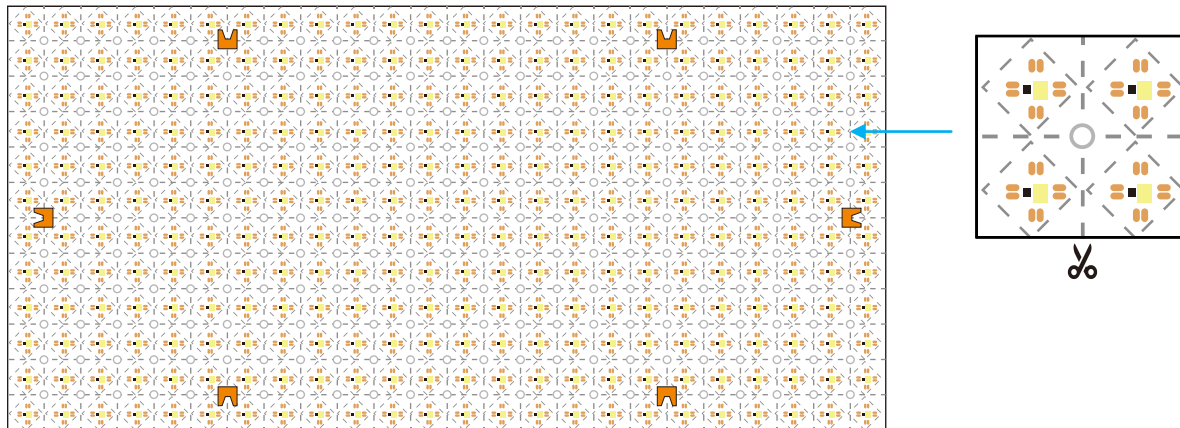


3. **Determine location to install components**

Refer to [WIRING DIAGRAMS](#)

4. **Prepare back lighting sheet for installation**

Cut the back lighting sheet sheet to desired lengths as required for your application. Only cut the LED strips along the designated cut lines (dotted lines) as shown. Cutting anywhere else will damage the LED light strip.

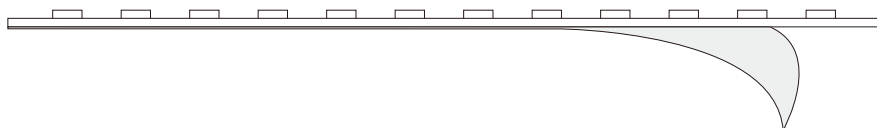


Note - LED sheet can be cut horizontally, vertically and at an angle.

5. **Mount the LED sheet**

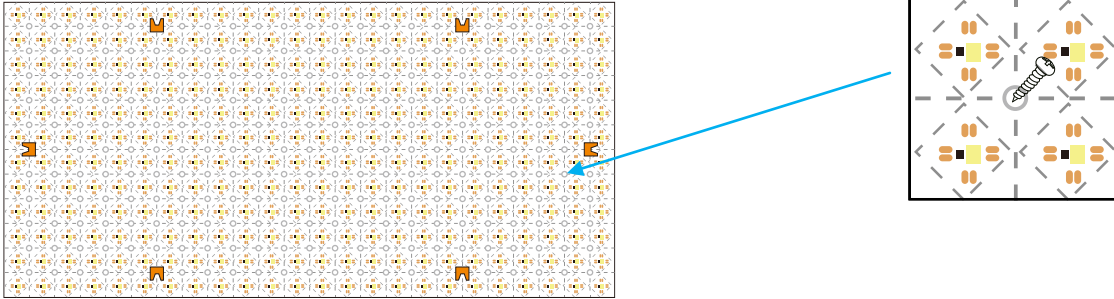
OPTION 1: Using the adhesive film at the back

Clean the mounting surface. Remove backing on the flexible tape to expose adhesive (ensure ambient temperature is minimum 50 degrees F for proper adhesion). Carefully press LED sheet to the mounting surface. Avoid pressing on the LEDs or any electrical component, avoid using excessive force and avoid pinching. When bending tighter than a 30mm radius, do so only at the cut mark.



OPTION 2: Using Screws

All penetration through LED sheet must be made at the designated points marked by the circles on the sheet.

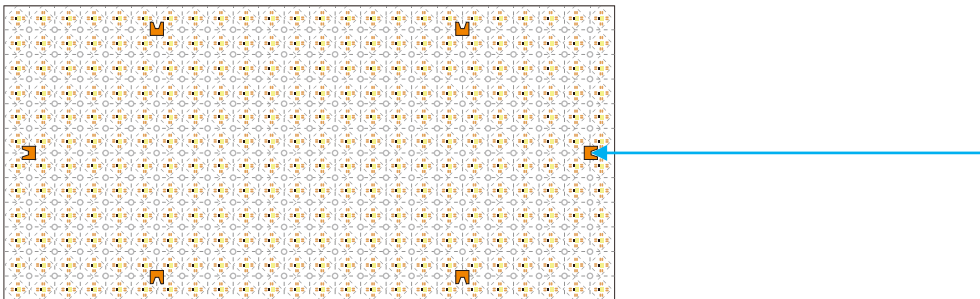


Note - Recommended to use pan head, domed or round head screws. Do not fasten screws so much that it deforms the LED Sheet



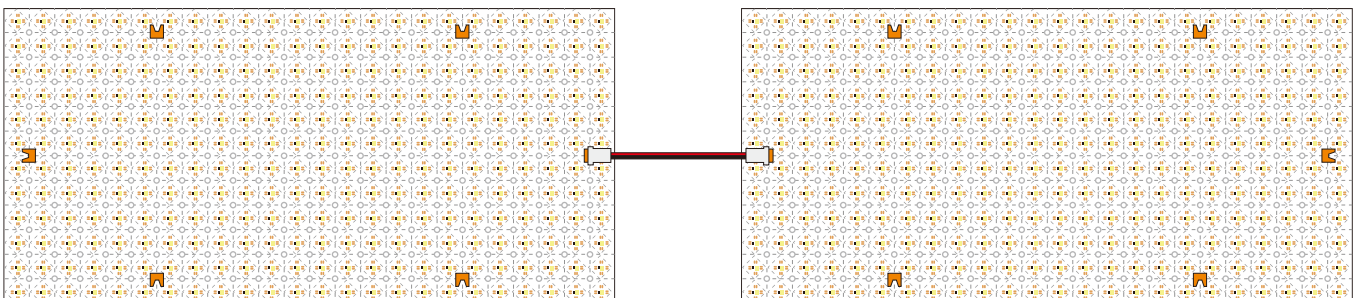
6. Connect Power Supply

Connect the power connector to the LED sheet using one of the on-board connectors;



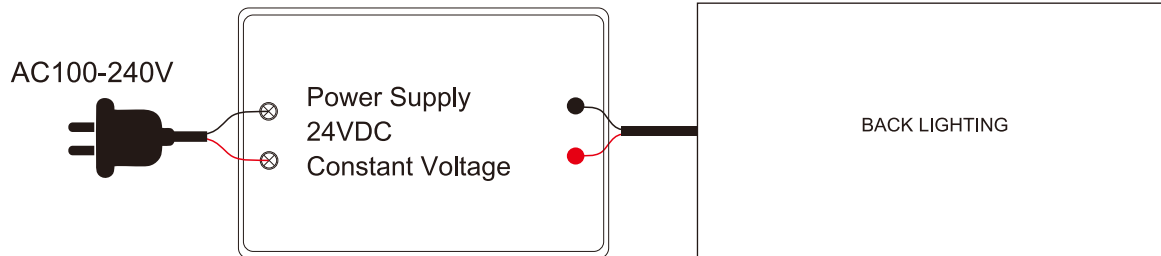
Connect the other end of the power connector to the power supply. If using hard wire power connectors, ensure the wires are connected correctly by observing the polarity (positive to positive, negative to negative).

Note - Connecting cables can be used to interconnect to LED sheets

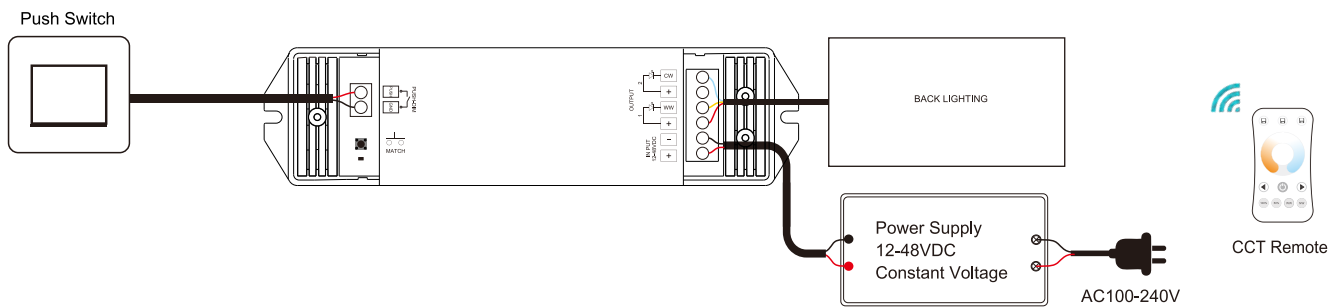


WIRING DIAGRAM

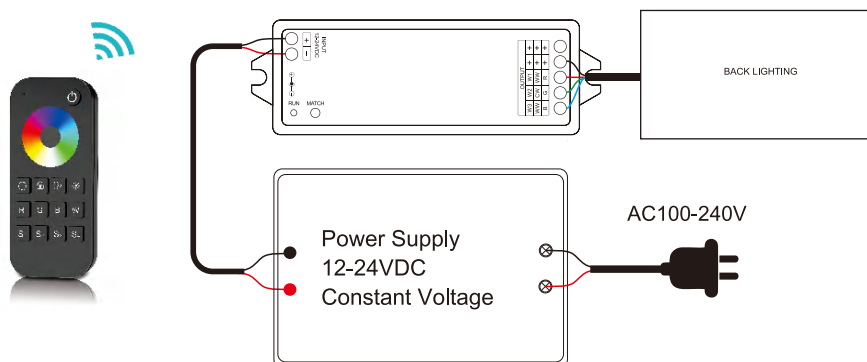
MONO



TW

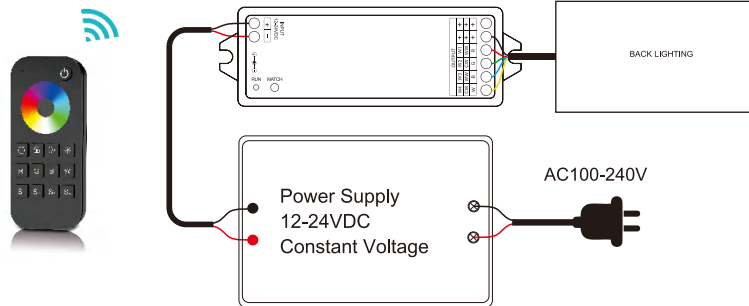


RGB

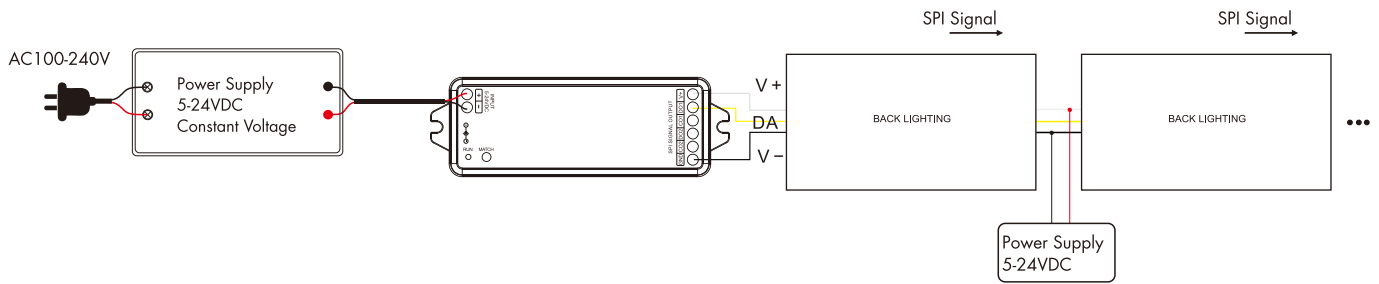


WIRING DIAGRAM

RGBW



RGBW-SPI



RGBW-DMX

